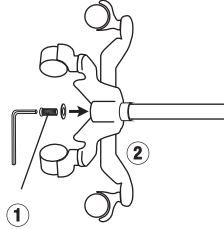


# Assembly Instructions for the

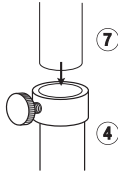
# e-sphyg<sup>3</sup>

## Mobile Mount Assembly

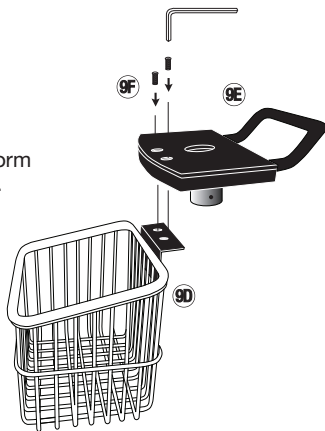
1. With base on its side connect upright outer pole to base using the long 6 mm hex screw and washer. Tighten with the large hex key provided. Tighten hardware as securely as possible. (To prevent loosening, periodically check that hardware remains securely tightened.)  
Reposition base upright.



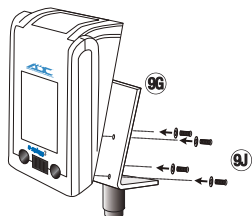
2. Slide stainless steel inner pole inside outer pole with open end up. Make sure shock absorbing spring is inside the outer pole and tighten.



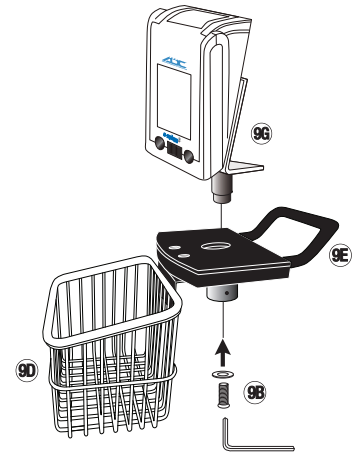
3. Attach metal basket to platform using two 3 mm hex screws. Tighten with small hex key provided.



4. Attach the e-sphyg<sup>3</sup> to the mounting bracket using short 2 mm hex screws and washers as shown. Tighten with small hex key.



5. Place assembly consisting of the e-sphyg<sup>3</sup> and mounting bracket into platform socket, making sure the post goes completely inside collar. Insert short 6 mm hex screw and washer as shown. Tighten with large hex key.



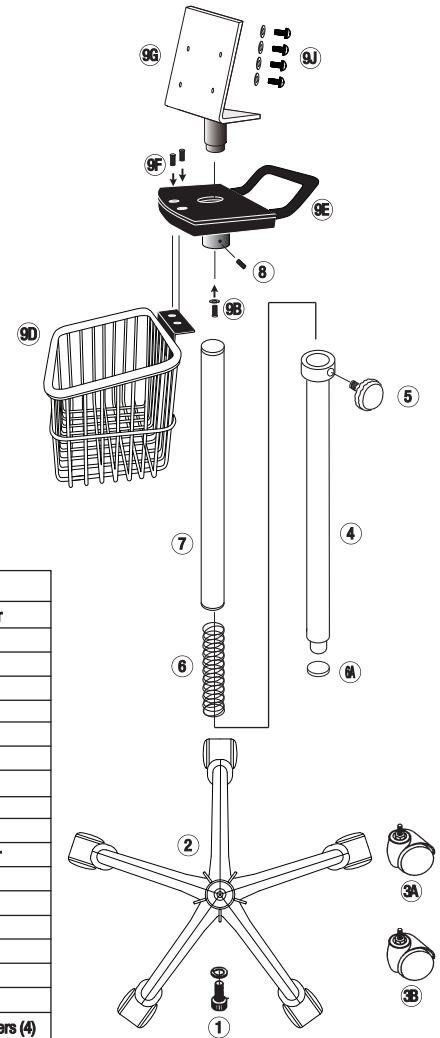
6. Place assembly consisting of the e-sphyg<sup>3</sup>, cuff storage basket and platform on top of stainless steel inner pole, making sure the pole goes completely inside collar. Use tightening device and small hex key as shown.



## Parts List

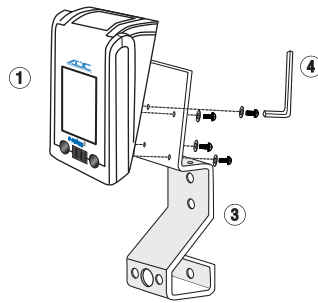
### Mobile Stand Assembly for the 9003M

Ref #	Item #	Description
1	972-101	Long 6 mm Hex Screw and Washer
2	972-080	Base
3A	972-106-1	Single Caster (3)
3B	972-106L-1	Single Locking Caster (2)
4	972-107W	Outer Pole
5	972-108	Knob
6	972-109	Spring
6A	972-107A	Gasket
7	972-110	Inner Pole
8	972-111	Tightening Device
9B	752-114	Short 6 mm Hex Screw and Washer
9D	752-119W	Cuff Storage Basket
9E	752-117	Platform
9F	752-118	3 mm Hex Screw (2)
9G	9003M-00	E3 Bracket
9H	752M-117	Small 3 mm Hex Key
9I	752M-116	Large 6 mm Hex Key
9J	9005M-HW-00	Short 2 mm Hex Screws and Washers (4)

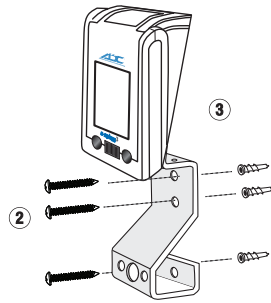


# Wall Mount Assembly

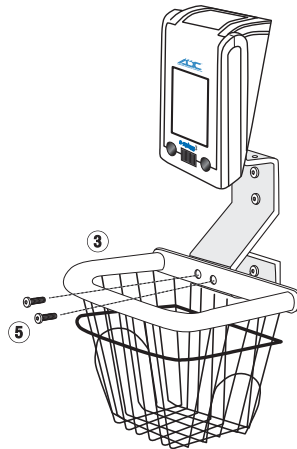
1. Attach e-sphyg3 to wall bracket by aligning the holes on the back of the unit with the four holes on the mounting bracket as shown. Insert the four hex mounting screws with washers through the back of the mounting bracket into the e-sphyg<sup>3</sup> and tighten.



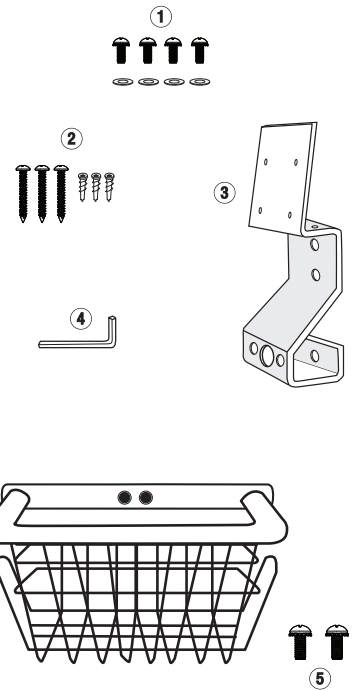
2. Attach wall bracket to wall. For optimum viewing, it is suggested that you measure 60" from the floor to the top of the wall mounting bracket (or add just as needed). Once positioned to desired height, mark screw positions on the wall making sure bracket is level. Screw three supplied screws firmly into a stud, or use the three supplied anchors to secure to the wall.



3. After the unit and wall bracket have been attached to the wall, position the basket onto the bracket and screw the two basket screws through the basket openings and tighten.



## Parts List

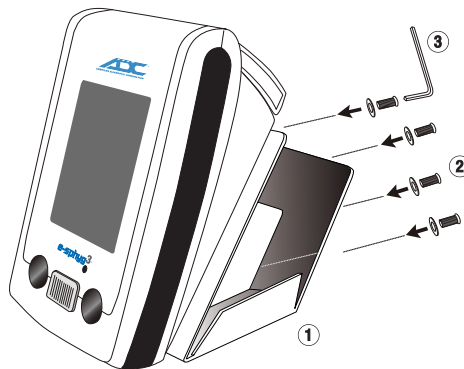


### Wall Assembly for the 9003W

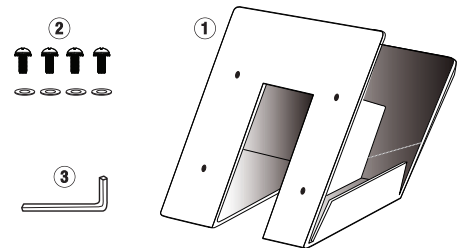
Ref #	Item #	Description
1	9005M-HW-00	Short 2 mm Hex Screws and Washers (4)
2	5600-HW-01	Wall Screw and Anchor (3)
3	9003W-00	Wall Bracket and Basket
4	752M-117	Small 3 mm Hex Key
5	752W-119	Basket Screws

# Desk Caddy Assembly

1. Align the holes on the rear side of the e-sphyg3 with the four holes on the mounting bracket as shown. Insert the four hex mounting screws and washers through the back of the mounting bracket into the unit and tighten.



## Parts List



### Desk Caddy Assembly for the 9003D

Ref #	Item #	Description
1	9003D-00	Desk Caddy Assembly for 9003D
2	9005M-HW-00	Short 2 mm Hex Screws and Washers (4)
3	752M-117	Small 3 mm Hex Key