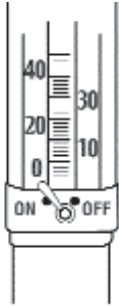
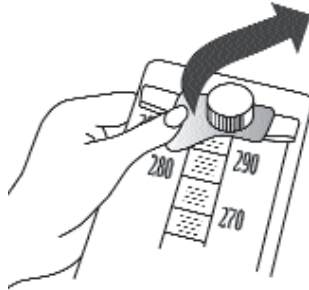


MAINTENANCE



To Lock Mercury Within the Reservoir: Tilt the entire unit back 45° towards the reservoir to permit mercury to flow out of cartridge tube and into reservoir. When cartridge tube is completely emptied of ALL mercury (and while it is still tilted 45°), move locking lever to the right "OFF". Mercury should be locked within the reservoir during maintenance or transport. To release mercury, move lever to "ON" position. If necessary, tilt unit towards tube to allow mercury to flow out of reservoir.



Lift up the spring loaded EZ-Tube™ mechanism located at the top of the instrument. Tilt instrument forward to free tube. If necessary use a small flat head screw driver to help dislodge the top of the tube. To replace tube, lift EZ-Tube™ mechanism and inset base of tube into main unit, being sure graduation marks face out. Next position top of tube and release EZ-Tube™ mechanism.

DIAGNOSTIX™ 932



- SCHEMATIC
- PARTS LIST

To Register Your Product, visit us at
www.adctoday.com
and follow the links

55 Commerce Drive
Hauppauge, NY 11788

Customer Service: 1-800-ADC-2670

Voice: 1-516-273-9600

Fax: 1-516-273-9659

email: info@adctoday.com

<http://www.adctoday.com>

NEW YORK · LONDON · TAIPEI · TOKYO

2002 ADC

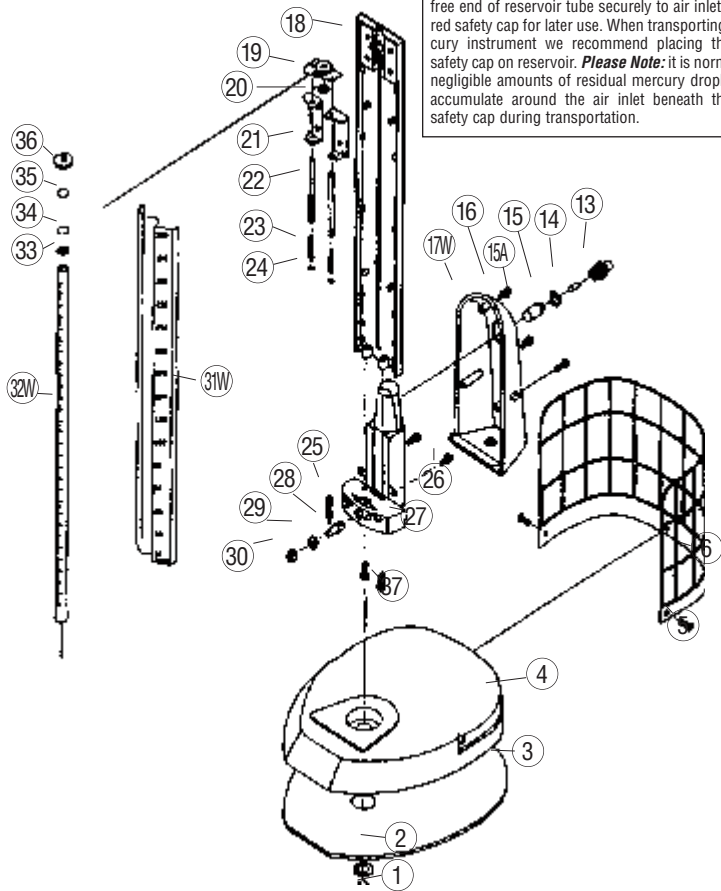
Part# 9356A-00



932 DIAGNOSTIX™ DESKTOP MERCURY UNIT

CONNECTING THE INFLATION SYSTEM TO MANOMETER

Remove red safety cap which seals the reservoir containing mercury (on the 952, the red safety cap is located on the air inlet beneath swivel base). Attach free end of reservoir tube securely to air inlet. Save red safety cap for later use. When transporting mercury instrument we recommend placing the red safety cap on reservoir. **Please Note:** it is normal for negligible amounts of residual mercury droplets to accumulate around the air inlet beneath the red safety cap during transportation.



Ref #	Item #	Description
1	932-101	Base Hex Bolt
2	932-102	Base Washer
3	932-103	Base Flange
4	932-104	Base
5	932-105	Basket Screws (3)
6	932-106	Basket
13	952-109	Reservoir Connector
14	952-110	Cotton Filter
15	952-111	Reservoir Connector Gasket
15A	952-112	Reservoir Feeder Tube
16	952-113	Reservoir Cover Screws (3)
17W	952-114	Reservoir Cover
18	952-115	Scale Plate Holder
19	952-116	Cartridge Top Holder
20	952-117	Rubber Gasket
21	952-118	Reservoir Holder for Top Plate
22	952-119	Rods (2)
23	952-120	Springs (2)
24	952-121	Locking Washer (2)
25	952-122	Locking Lever Handle
26	952-123	Reservoir Screws (2)
27	952-124	Reservoir Tank
28	952-125	Reservoir Rod
29	952-126	Bushing
30	952-127	Locking screw (1)
31W	952-128	Scale Plate
32W	952-129	Graduated Plastic Cartridge Tube
33	952-130	Rubber Gasket
34	952-132	Filter Plug
35	952-131	Diaphragm
36	952-133	Screw Cap
37	952-134	Reservoir Base Screws (2)