

DIAGNOSTIX™ 922

CONNECTING THE INFLATION SYSTEM TO MANOMETER

Remove the red cap which seals the reservoir containing mercury. Attach the free end of reservoir tube securely to air inlet. Save red safety cap for later use. When transporting mercury instrument we recommend replacing the red safety cap.

Please note: It is normal for negligible amounts of residual mercury droplets to accumulate around the air inlet beneath the red safety cap during transportation.

Warning: Before transporting this instrument, mercury must be stored in the tank and the reservoir lock **MUST** be switched to the off position to prevent mercury spills.

FOR DIRECTIONS ON DISASSEMBLING THE UNIT REFER TO THE ENCLOSED SCHEMATIC DIAGRAM AND ACCOMPANYING INSTRUCTIONS.

PLEASE NOTE: MERCURY IS TOXIC. SECURE MERCURY WITHIN THE RESERVOIR BEFORE SERVICING UNIT. ALWAYS WEAR PROTECTIVE CLOTHING (GLOVES AND GOGGLES) WHEN CLEANING OR SERVICING THE UNIT. CLEAN ANY SPILLED MERCURY PROMPTLY USING APPROVED MERCURY CONTAINMENT KITS. ONLY PROPERLY TRAINED SERVICE TECHNICIANS SHOULD ATTEMPT TO SERVICE THE UNIT. CONSULT THE ENCLOSED MANUAL ENTITLED "JUST IN CASE" FOR PROCEDURES ON DEALING WITH A MERCURY SPILL.

To Register Your Product, visit us at www.adctoday.com and follow the links

- SCHEMATIC
- PARTS LIST



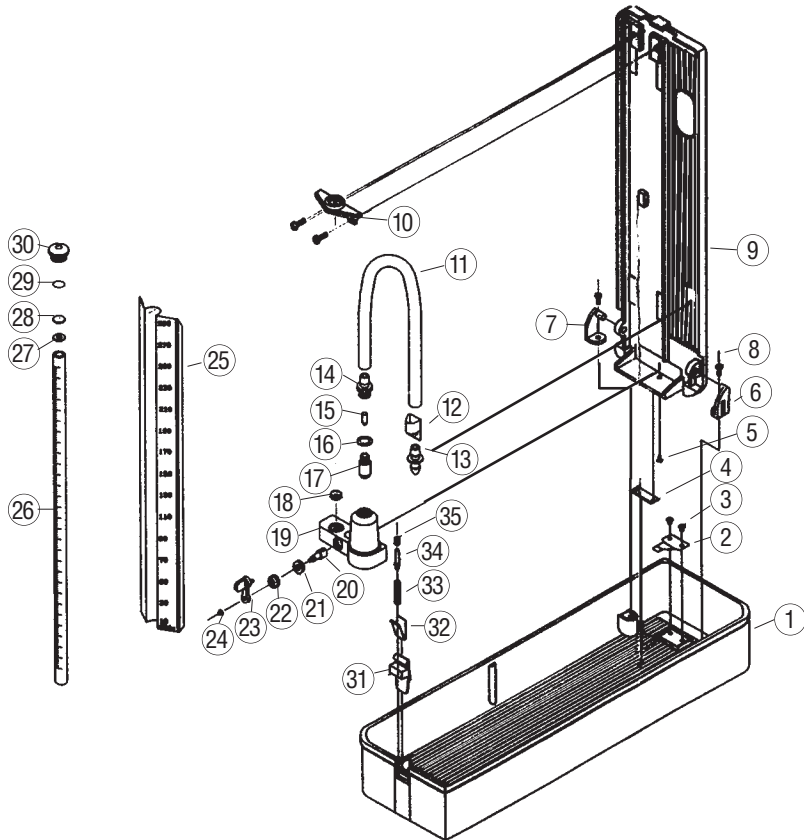
55 Commerce Drive
Hauppauge, NY 11788
Customer Service: 1-800-ADC-2670
Voice: 1-631-273-9600
Fax: 1-631-273-9659
email: info@adctoday.com
<http://www.adctoday.com>
NEW YORK • LONDON • TAIPEI • NINGBO • TOKYO

©2013 ADC

IB p/n 9353A-00 - rev 3



922 DIAGNOSTIX™ DESKTOP MERCURY UNIT



Ref #	Item #	Description
1	922-101	Bottom Casing
2	922-102	Cover Locking Plate
3	922-103	Locking Plate Screws (2)
4	922-104	Cover Locking Catch
5	922-105	Reservoir Screw (1)
6	922-106	Cover Hinge, Right
7	922-107	Cover Hinge, Left
8	922-108	Hinge Screws (2)
9	922-109	Cover Plate
10	922-110	Scale Plate Bracket
11	922-111	Reservoir Feeder Tube
12	922-112	Tube Guide
13	891	Luer Connector Set, Metal
14	922-114	Reservoir Connector
15	922-115	Reservoir Filter Plug
16	922-116	Reservoir Connector Gasket
17	922-117	Reservoir Feeder Tube
18	922-118	Rubber Gasket
19	922-119	Reservoir Assembly
20	922-120	Reservoir Locking Rod
21	922-121	Bushing
22	922-122	Locking Screw
23	922-123	Locking Lever
24	922-124	Locking Lever Hex Nut
25	922-125	Scale Plate
26	922-126	Graduated Plastic Cartridge Tube, 4mm
27	922-127	Rubber Gasket
28	922-128	Filter Plug
29	922-129	Diaphragm
30	922-130	Screw Cap
31	922-131	Release Button
32	922-132	Button Spring
33	922-133	Plunger Spring
34	922-134	Plunger
35	922-135	Plunger Screw