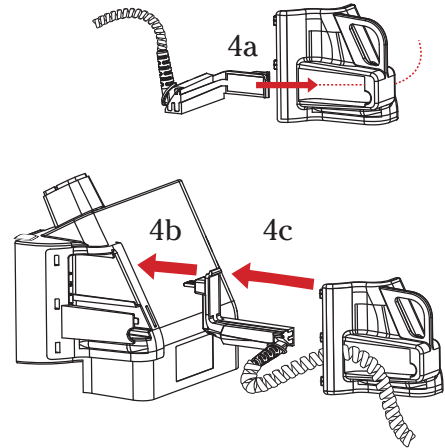


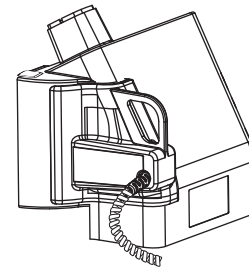
### 1a. Attaching the Temp Probe Connector

- Thread probe connector through probe connector housing.
- Align probe connector as shown and push gently until it clicks into place.
- Pull excess probe cord through slot in probe connector housing and slide into place as shown.



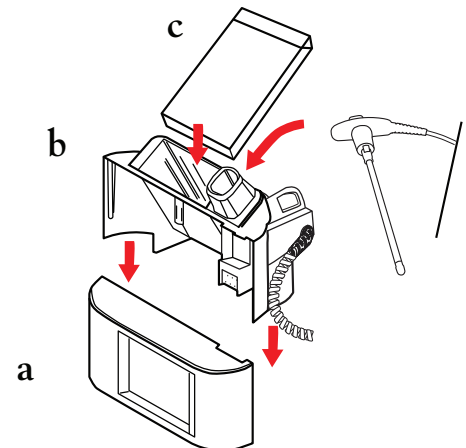
### 1b. Attaching the Temp Probe Connector

Probe connector housing should be fully seated against rear cover with no visible gaps.



## 2. Assembling the Temp Module for Use

- Slide the back cover onto the temperature onto module.
- Place probe in well.
- Place the probe cover box into the holder.



ADC  
55 Commerce Drive  
Hauppauge, NY 11788



Suntech Medical, Ltd.  
Oakfield Industrial Estate  
Eynsham, Oxfordshire  
OX29 4TS UK

Inspected in the U.S.A.  
Made in China  
tel: 631-273-9600  
toll free: 1-800-232-2670  
fax: 631-273-9659

[www.adctoday.com/adview](http://www.adctoday.com/adview)  
info@adctoday.com

Printed in the USA

To Register Your Product, visit us at  
[www.adctoday.com](http://www.adctoday.com)  
and follow the links

For questions, comments, or suggestions,  
call in the U.S.A. Toll Free:  
**1-800-ADC-2670**