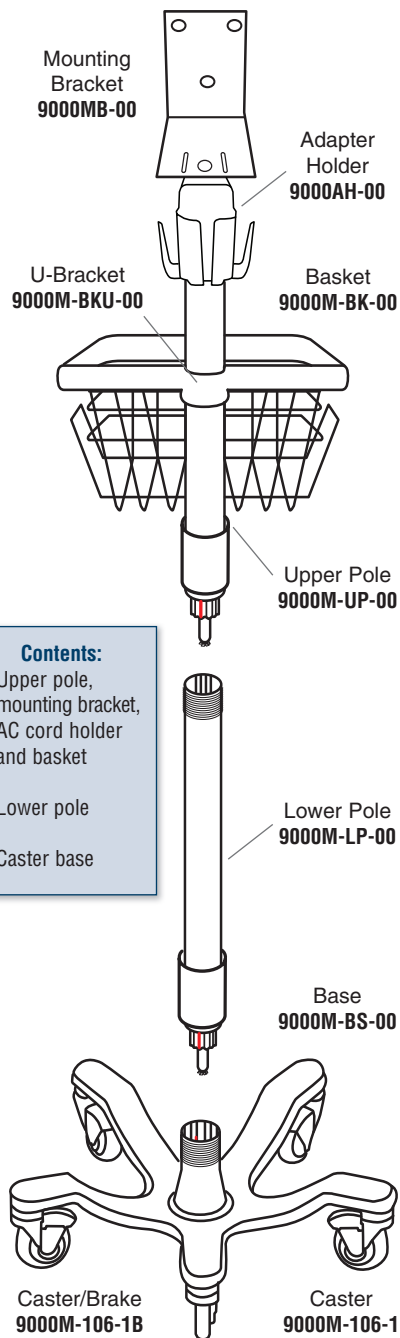


POLE STAND ASSEMBLY INSTRUCTIONS

Box Contents/Parts



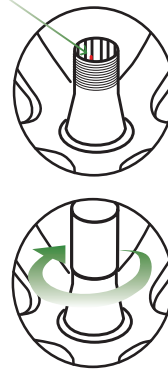
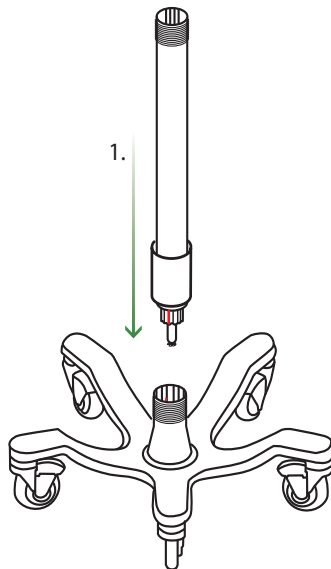
Contents:

1. Upper pole, mounting bracket, AC cord holder and basket
2. Lower pole
3. Caster base

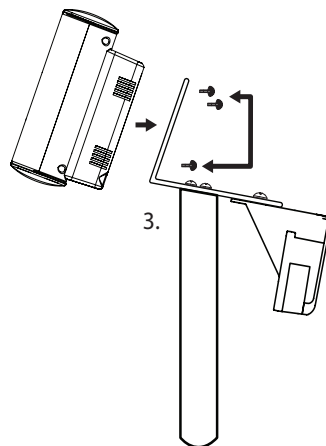
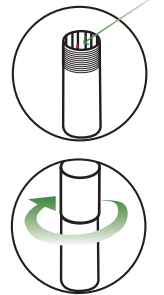
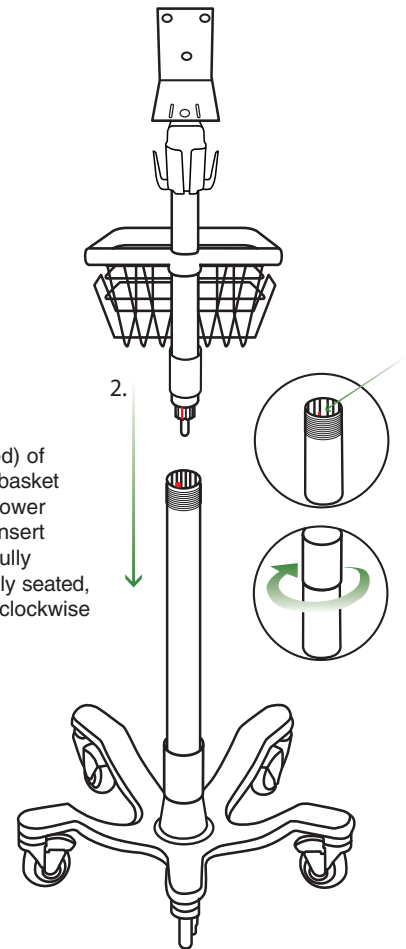
Assembly

***No Tools Required**

1. Align keyway (red) of Lower Pole with keyway (red) of Caster Base, and insert downward until fully seated. Once fully seated, twist lock sleeve clockwise until hand tight.



2. Align keyway (red) of Upper Pole and basket with keyway of Lower Pole (red), and insert downward until fully seated. Once fully seated, twist lock sleeve clockwise until hand tight.



3. Align holes on rear of BP module with the 3 holes on the mounting plate as shown. Hand-tighten 3 mounting screws through rear of mounting plate into BP module.



ADC
55 Commerce Drive
Hauppauge, NY 11788

Inspected in the U.S.A.
Made in Taiwan
tel: 631-273-9600
toll free: 1-800-232-2670
fax: 631-273-9659



Suntech Medical Ltd.
Oakfield Industrial Estate
Eynsham, Oxfordshire
OX29 4TS UK

www.adctoday.com/adview
info@adctoday.com

To Register Your Product, visit us at
www.adctoday.com
and follow the links

For questions, comments, or suggestions,
call in the U.S.A. Toll Free:
1-800-ADC-2670